

Installation Instructions
Premium Railing Brackets
1-260-399-4828 – www.ningboglobalsourcing.com

1. How must the stair/angle brackets be cut in order to create a proper angle for an installation?

The stair/angle brackets are made to allow customization of the angle required for a specific installation. They can be used to create angles on a deck surface or for stair section installations. These brackets may be installed on posts, columns and wall surfaces.

Tools required: Miter saw, measuring tape, and protective equipment.

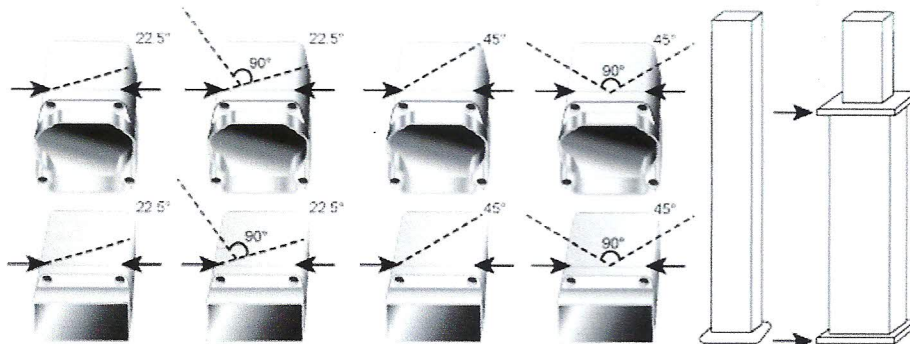
For Stairs:

- When cutting the bracket, try to cut as close as possible to the line at the end of the bracket that has the screw holes.
- Place the brackets on the end of the sections rails so you can mark the angle that will need to be cut.
- Cut at the angle that you just marked.

For Angles:

- When cutting the bracket, try to cut as close as possible to the line at the end of the bracket that has the screw holes.
- 22.5° angles require a 4" x 4" post/column minimum (actual size: 3.75" x 3.75")
- 45° angles require a 4.5" x 4.5" post/column minimum (actual size: 4.5" x 4.5")
- If the post/column is too narrow, you must either widen the bottom part of your post/column or cut the brackets in a "V" angle.

These angles are not for stair sections



2. In what angle do the posts/columns have to be installed on a deck that has 45° angles?

One of the posts/columns flat sides should be facing the corner of the deck.

